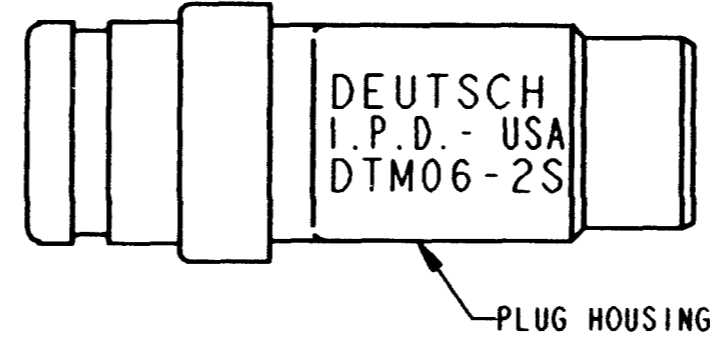
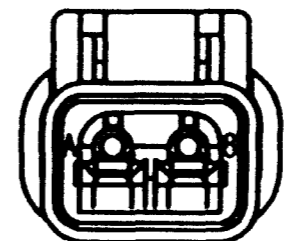
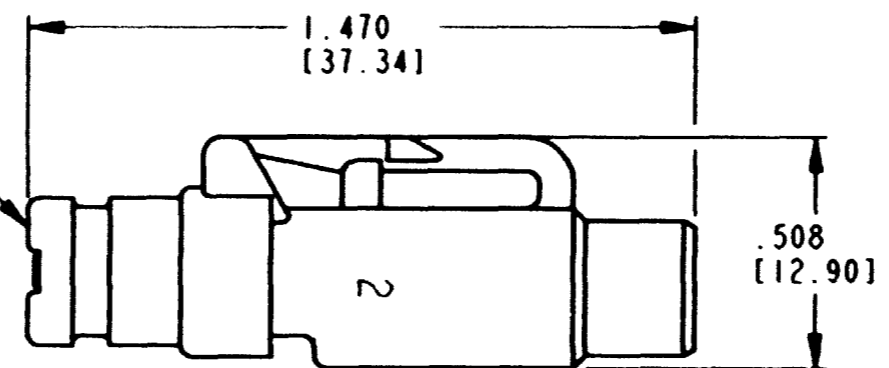


7 EXTENDED CAP



REV A DTM06-2S-E007

REVISIONS			
SYM	DESCRIPTION	DATE	APPROVED
NC	NEW RELEASE PER E.O. A14923	11-1-95	R.D.R.
A	REDRAWN & REVISED PER E.O. P19207	3-30-06	ADR

- 7 PART MODIFICATION: EXTENDED CAP.
  - 6. MATERIAL - HOUSING/EXTEND CAP: PLASTIC; GROMMET: RUBBER.
  - 5. THIS PLUG MATES WITH DTM04-2P-\*\*\*\* RECEPTACLE. (\*\*\*\* = ALL MODIFICATIONS)
  - 4 FOR CONTACT AND WIRE PERFORMANCE AND APPLICATION CHARACTERISTICS SEE ENVELOPE DRAWING 0425-015-0000.
  - 3. SECONDARY WEDGE LOCK SOLD SEPARATELY: WM-2S, WM-2S\*. (\* = A,B,C,D KEYS)
  - 2. DIMENSION TOLERANCE:  $\pm .025$  [ .64].
  - 1. DIMENSIONS ARE IN INCHES [mm].
- NOTES: UNLESS OTHERWISE SPECIFIED

CONTACT SIZE	MIN. INSUL. O.D.	MAX. INSUL. O.D.	WIRE RANGE [mm <sup>2</sup> ] REF ONLY
20	.053 [1.35]	.120 [3.05]	16-20 AWG [1.0-0.5]

SIGNATURE & DATE	
DR	J. APOSTOL 06MAR2006
CHK	R. Meyer 3/2/06
PE	D. Meyer 3/2/06
APPD	R. Rad 3-30-06
SCALE	NONE WT

PLUG W/EXTENDED CAP  
2 CONTACTS, SIZE 20  
COLOR: GREY  
-E007 MOD  
DTM SERIES

ENVELOPE

CP	MATL. CODE
<b>The Deutsch Company</b> DEUTSCH I.P.D. 3850 INDUSTRIAL AVE. HEMET, CALIF. 92545	
<b>B</b>	<b>DTM06-2S-E007</b>
DWG. SIZE	CODE 11139 SHEET   OF